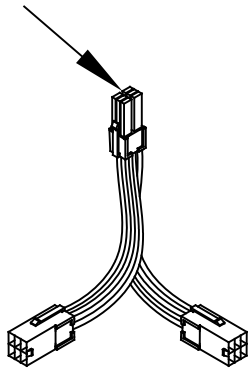


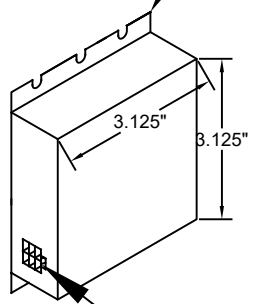
Specifications

Power Consumption: 24 Watts
 Lamp Length: 2- 10" PCO UVC Lamp (AS-IH-1013)

Quick Connect Y-connector for Dual PCO Lamps

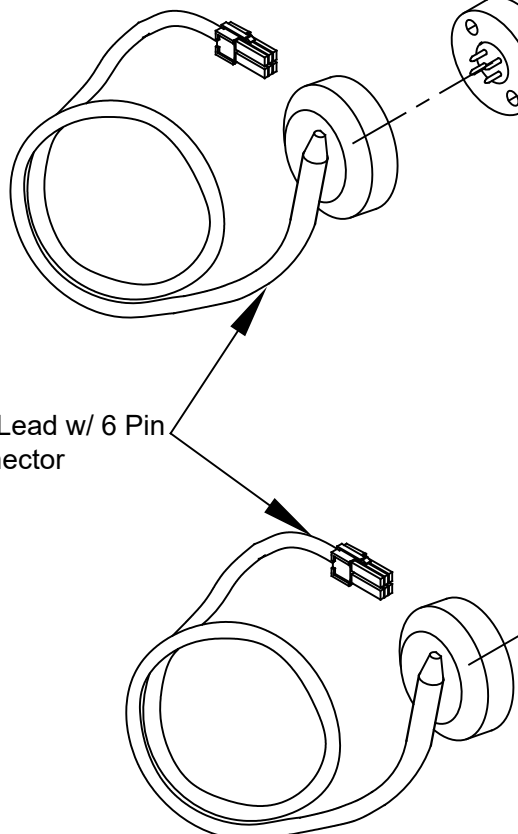


Ultravation 24v Electronic Power Supply (p/n: BL-PP-0135)

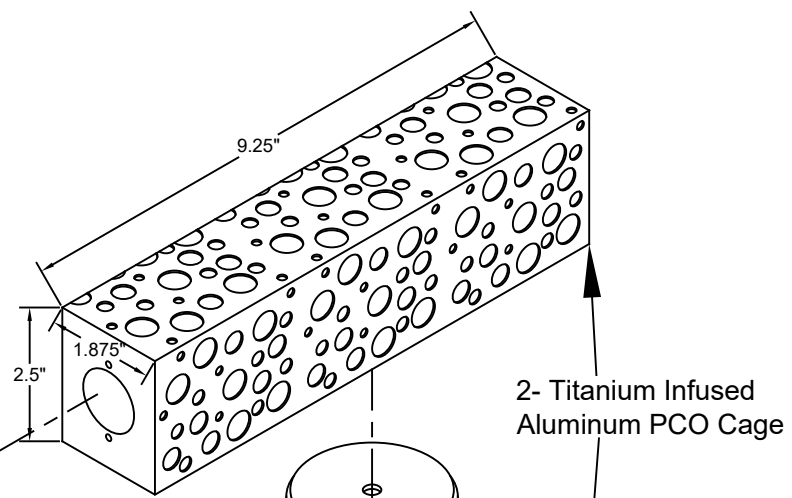
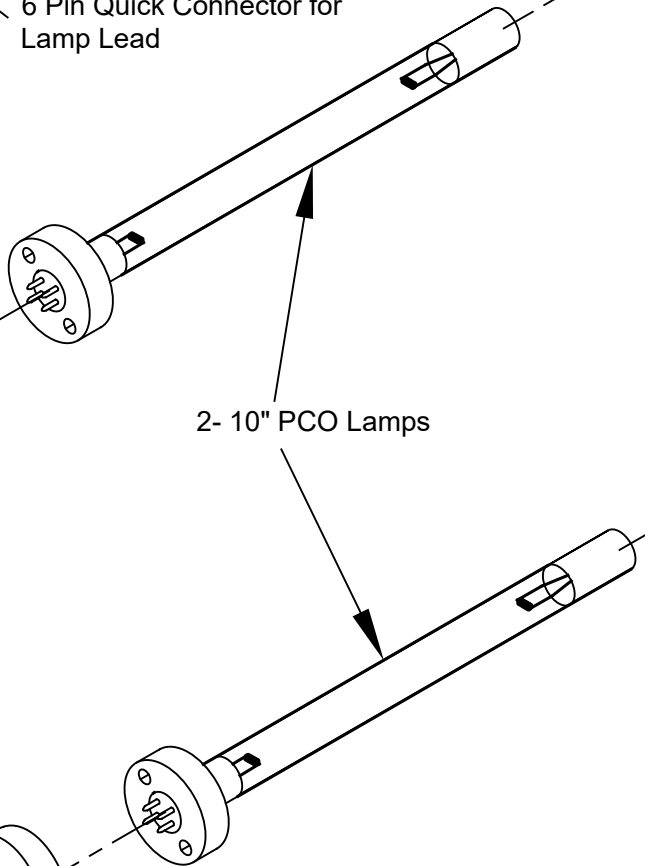


6 Pin Quick Connector for Lamp Lead

2- 6' Lamp Lead w/ 6 Pin Quick Connector

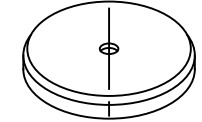


2- 10" PCO Lamps



2- Titanium Infused Aluminum PCO Cage

Each PCO comes with Magnetic Mounting for ease of Installation



9.25"

1.875"

2.5"

9.25"

Ultravation, Inc. 212 Ideal Way Poultney, Vermont 05764 Ph: 802-287-9735 Fx: 802-287-9203 www.Ultravation.com	Part #: UVMMatrix PCO-24-2-10	Drawing #: UVM-PCO24210-DSS	Rev -A
	Description: UVMMatrix PCO with 2- 10" UVC Lamp with magnetic mounting for ease of installation. 6' Lamp leads, 24v Operation. Designed for 8-20 Ton Systems		
	Date: 1/20/20	Scale:	Creator: JSM