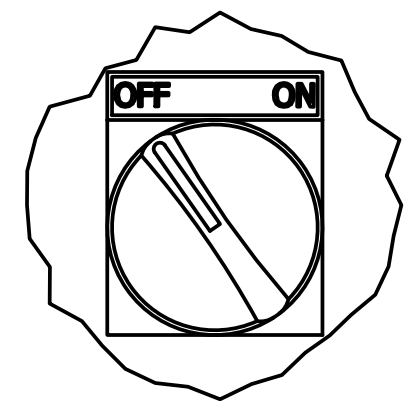
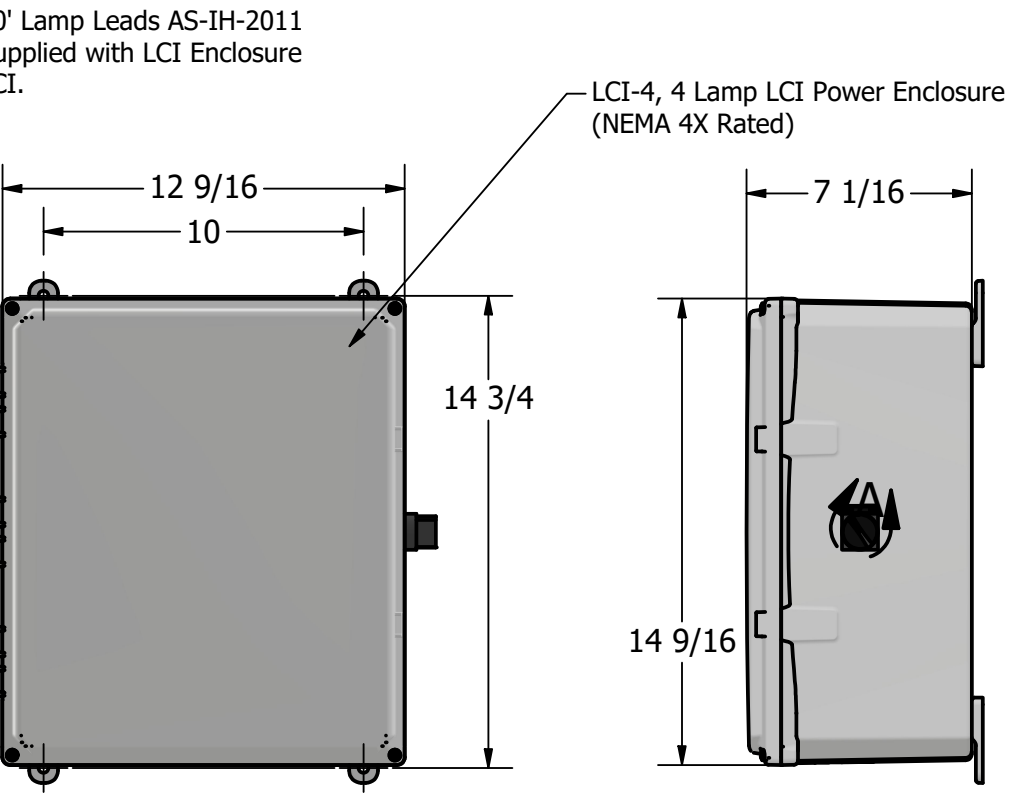


Specifications				
Model	Description	Lamp Part No	Lamp Length	Each Lamp Draw
LCI-2-33	Light Commercial Irradiation Kit, NEMA 4X enclosure and 20' lamp leads for internal or external mounting of electronics. Comes w/ 2 T3 Lamp.	AS-IH-0611	33" T3 Lamp	0.35 A @120 V
LCI-4-33	Light Commercial Irradiation Kit, NEMA 4X enclosure and 20' lamp leads for internal or external mounting of electronics. Comes w/ 4 T3 Lamp.	AS-IH-0611	33" T3 Lamp	0.35 A @120 V
LCI-6-33	Light Commercial Irradiation Kit, NEMA 4X enclosure and 20' lamp leads for internal or external mounting of electronics. Comes w/ 6 T3 Lamp.	AS-IH-0611	33" T3 Lamp	0.35 A @120 V
LCI-2-48	Light Commercial Irradiation Kit, NEMA 4X enclosure and 20' lamp leads for internal or external mounting of electronics. Comes w/ 2 T3 Lamp.	AS-IH-0612	48" T3 Lamp	0.49 A @120 V
LCI-4-48	Light Commercial Irradiation Kit, NEMA 4X enclosure and 20' lamp leads for internal or external mounting of electronics. Comes w/ 4 T3 Lamp.	AS-IH-0612	48" T3 Lamp	0.49 A @120 V
LCI-6-48	Light Commercial Irradiation Kit, NEMA 4X enclosure and 20' lamp leads for internal or external mounting of electronics. Comes w/ 6 T3 Lamp.	AS-IH-0612	48" T3 Lamp	0.49 A @120 V
LCI-2-62	Light Commercial Irradiation Kit, NEMA 4X enclosure and 20' lamp leads for internal or external mounting of electronics. Comes w/ 2 T3 Lamp.	AS-IH-0610	62" T3 Lamp	0.625 A @120 V
LCI-4-62	Light Commercial Irradiation Kit, NEMA 4X enclosure and 20' lamp leads for internal or external mounting of electronics. Comes w/ 4 T3 Lamp.	AS-IH-0610	62" T3 Lamp	0.625 A @120 V
LCI-6-62	Light Commercial Irradiation Kit, NEMA 4X enclosure and 20' lamp leads for internal or external mounting of electronics. Comes w/ 6 T3 Lamp.	AS-IH-0610	62" T3 Lamp	0.625 A @120 V

* Add - 2XP to any part number for 2 Vertical Expansion Posts for maximum installation options.
 ** Add - 3XP to any part number for 3 Vertical Expansion Posts for maximum installation options.



DETAIL A
On / Off Switch

DETAIL B
SCALE 1 / 2

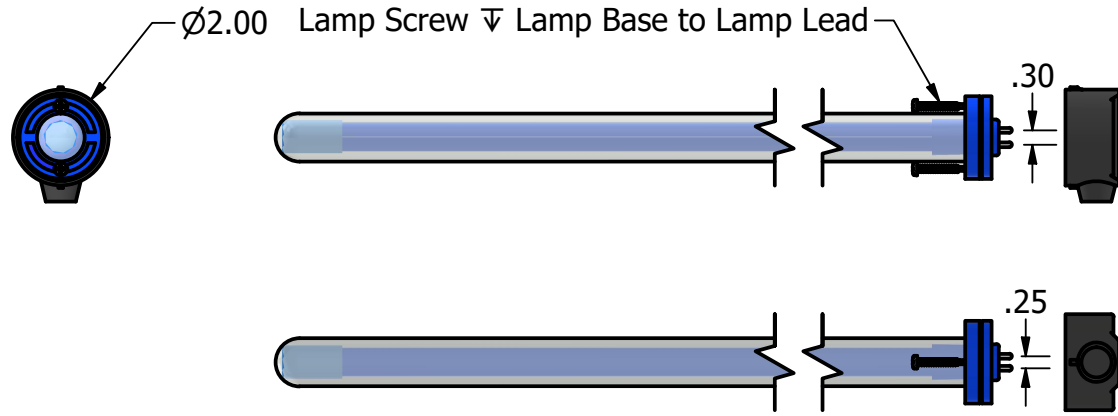
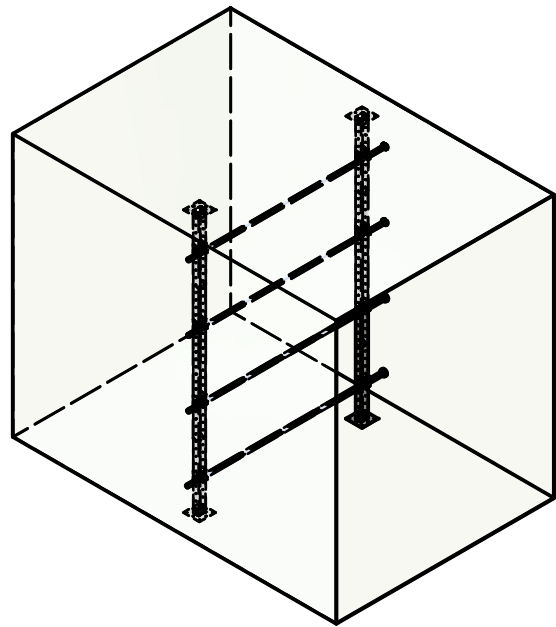
VXP-80 (Vertical Expansion Post adjustable from 47"-80" without cutting) Compatible with UVMatrix EZ, SI, & LCI Series

DRAWN Anik D.	2/29/2024	Ultravation Inc. 67 TUBBS AVE, BRANDON VT-05733. 866-468-8247. www.ultravation.com		
CHECKED		TITLE UVMatrix LCI Products W/ Multiconfigurable Lamp Systems, 20 Ft lamp lead and Nema 4X rated housing lamp system W/ option for 2 or 3 Vertical Expansion Posts for maximum installation options.		
QA		SIZE A3	DWG NO LCI Series SpecsSheet	REV 0
MFG				
APPROVED				
All Dimensions are in INCHES		SCALE 1/16	Tolerance ±0.031	SHEET 1 OF 2

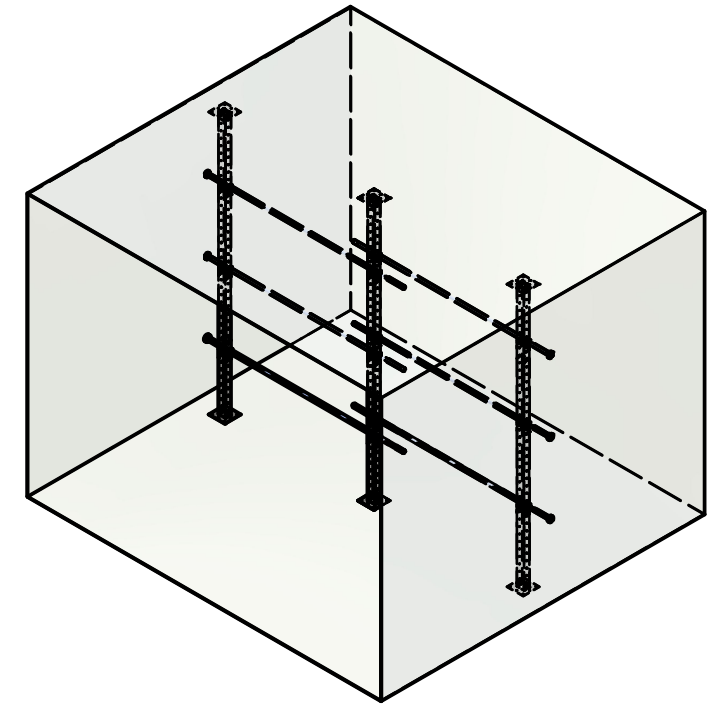
Units quoted with -2VXP Should be setup following 2 VXP Standard setup
 Units quoted with -3VXP Should be setup following 3 VXP Standard setup

$LS = \text{Inner Height (H)} / \text{Number of Lamps [In case of 2 VXP Setup]}$

$LS = 2 \times \text{Inner Height (H)} / \text{Number of Lamps [In case of 3 VXP Setup]}$

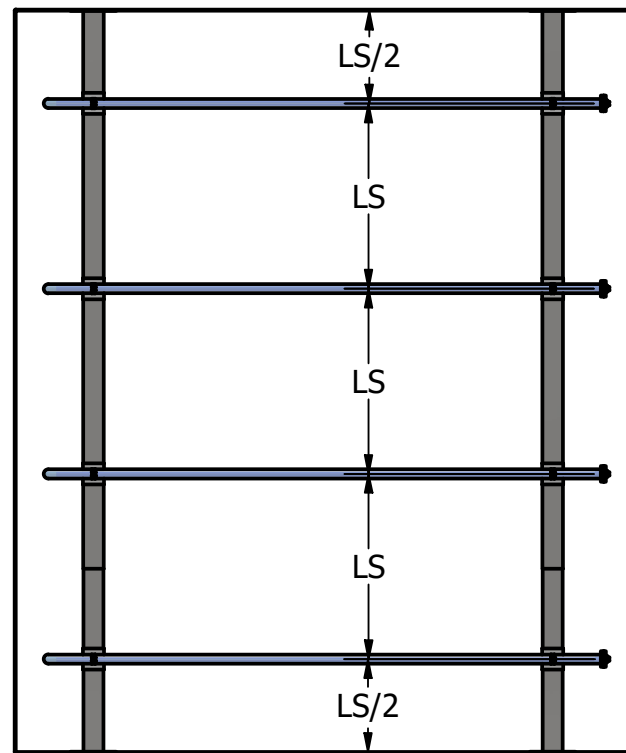


Lamp Pins Are Rectangular, Please Install In Right Orientation.

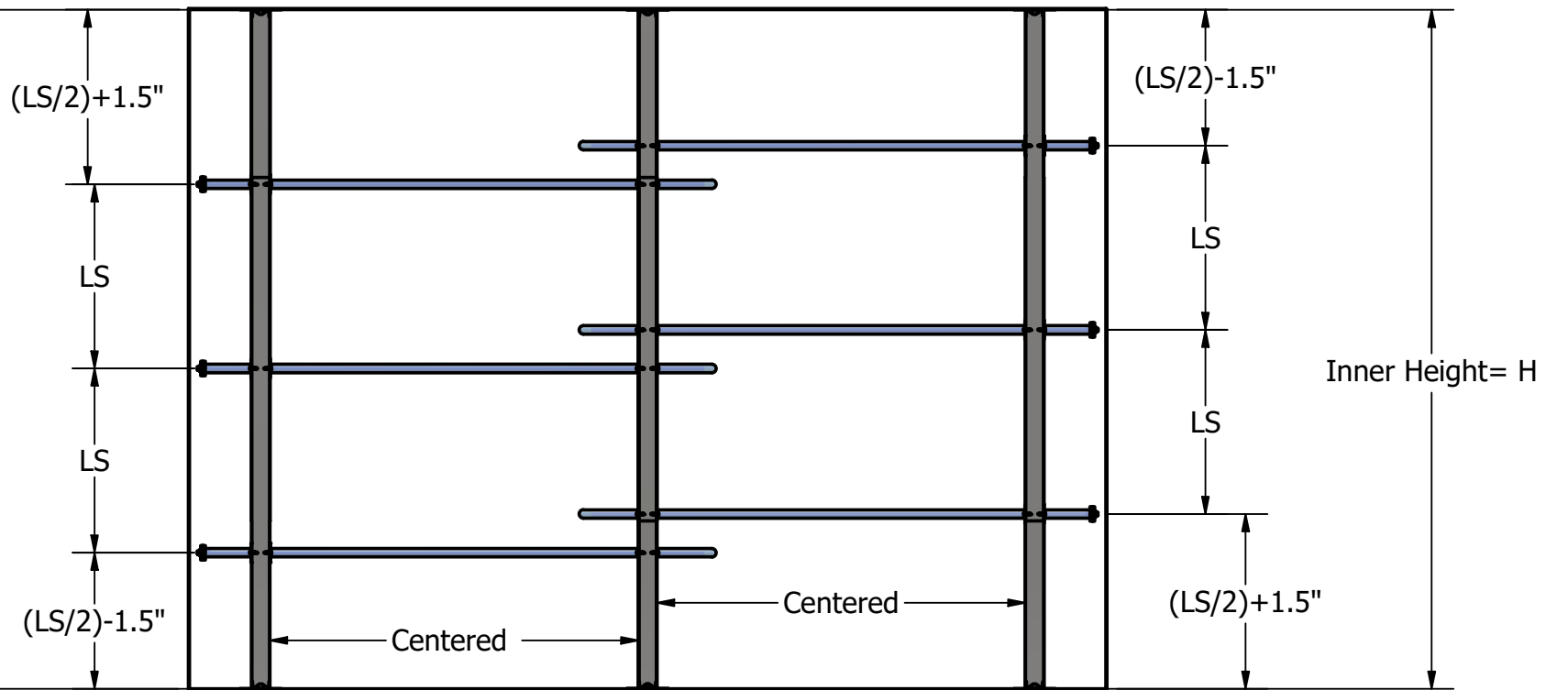


6-12" From Inside Wall

3- VXP Standard Setup



2- VXP Standard Setup



6-12" from Inside Wall