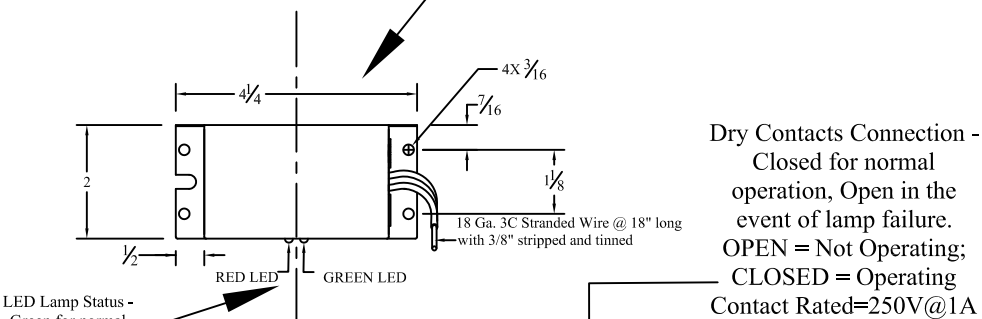


# Models & Specifications

Model Number	Lamp Part Number	Lamp Length (X)	Light Shield Part Number	Power Consumption
UVMatrix EZ-12	AS-IH-1001	12" T3 Lamp	94-050	17VA
UVMatrix EZ-17	AS-IH-1003	17" T3 Lamp	94-049	22VA
UVMatrix EZ-22	AS-IH-1005	22" T3 Lamp	94-047	29VA
UVMatrix EZ-33	AS-IH-0611	33" T3 Lamp	94-045	42VA
UVMatrix EZ-48	AS-IH-0612	48" T3 Lamp	94-046	60VA
UVMatrix EZ-62	AS-IH-0610	62" T3 Lamp	94-043	76VA

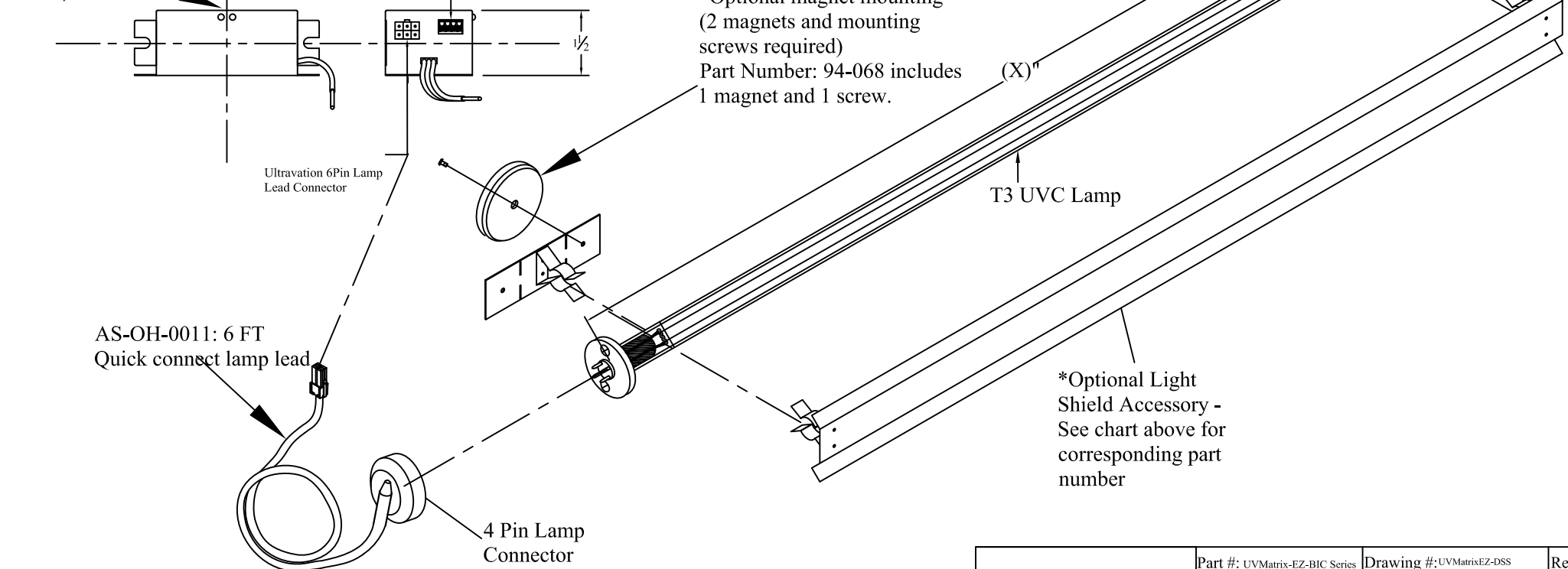
**BL-PP-0113:**  
**Ultravation Auto Sensing**  
**120-277v Electronic Power**  
**Supply**



**Dry Contacts Connection -**  
 Closed for normal operation, Open in the event of lamp failure.  
 OPEN = Not Operating;  
 CLOSED = Operating  
 Contact Rated=250V@1A

**\*Optional magnet mounting**  
 (2 magnets and mounting screws required)  
 Part Number: 94-068 includes 1 magnet and 1 screw.

2- T3MC's Supplied (T3 Lamp Mounting Clip)



<b>Ultravation, Inc.</b> 67 Tubbs Avenue Brandon, Vermont 05773 USA www.Ultravation.com	Part #: UVMatrix-EZ-BIC Series	Drawing #: UVMatrix-EZ-DSS	Rev - B
	Description: UVMatrix EZ with LED operation status output and dry contacts building automation for T3 UVC Lamp (lamp length option above (X)). 6' Lamp lead, 120-277v Operation. *Optional, full length light shield and magnet mount*.		
	Date: 1/20/20	Scale:	Creator: WEF