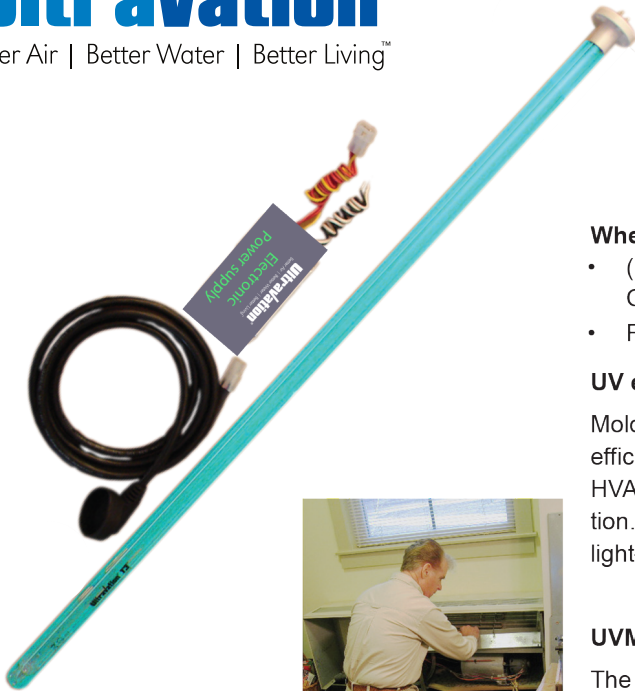


## Product Information



### Where to use UVMatrix EZ

- (PTAC) Packaged Terminal Air Conditioners
- Unit Ventilators
- Fan Coil Units
- Ice Machines

### UV eliminates mold on AC coils

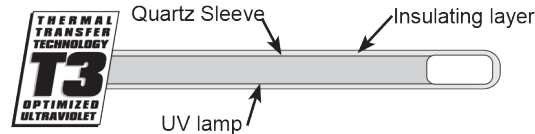
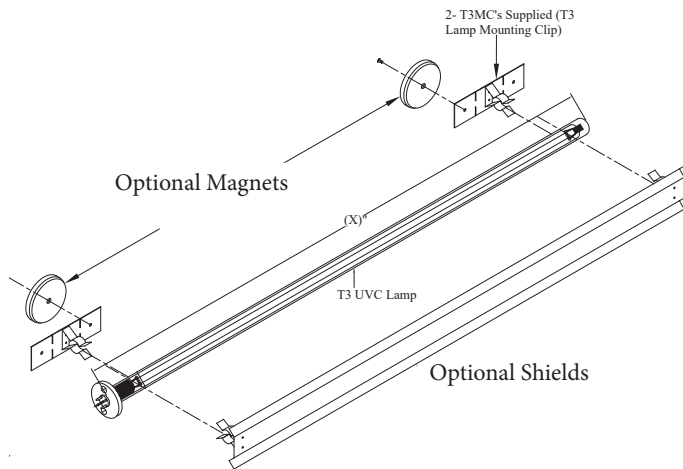
Mold can be a serious problem for allergy sufferers—and a drain on HVAC efficiency. Ultravation UVMatrix™ EZ systems for commercial and industrial HVAC, deliver the highest level of performance and safety in UV air disinfection. Their design reflects Ultravation's in-depth knowledge of ultraviolet light—and how it is optimized for HVAC coil disinfection.

### UVMatrix EZ—Unprecedented installation flexibility

The EZ-Series is a complete, flexible and easy-to-install design. Utilizing magnetic lamp holders installation is fast and dependable. Units ship with a light shield that simply snaps into place and can be rotated to block the harmful UVC rays from escaping the air handler. Unit is hard wired and connect the detachable lamp lead after routing to needs.

### T3™ Enhanced UV Lamps

Ultravation T3™ thermally optimized germicidal UV lamps are standard, allowing much higher UV lamp output in cold air conditions.



### ESP™ Electronic-Smart Power

UVMatrix-EZ systems utilize discrete ESP™ electronic power supplies — eliminating the possibility of complete loss of disinfection due to UV system trouble. ESP™ optimizes lamp performance because it operates at frequencies far exceeding a standard magnetic ballast. Its exceptional stability of voltage and current flow maximizes lamp output and lamp life. In a lamp-out situation, it automatically protects itself from an un-loaded condition.

UVC is highly effective at sterilizing airborne pathogens



### Additional features...

- Low power consumption
- Lamp life expectancy 18,000 hrs (approx 24 months)
- 10 year UV system warranty Covers entire unit except lamp.
- One year UV lamp warranty
- T3 enhanced lamp systems.

Model	Lamp	Magnet (2 Req)	Shield (1 req)	Power consumption
UVMATRIX EZ-22	22 Inches AS-IH-1005	94-068	94-047	29 VA
UVMATRIX EZ-33	33 Inches AS-IH-0611	94-068	94-045	42 VA
UVMATRIX EZ-48	48 Inches AS-IH-0612	94-068	94-046	60 VA
UVMATRIX EZ-62	62 Inches AS-IH-0610	94-068	94-043	76 VA

## 1. Scope of Supply

The UVMatrix EZ equipment shall consist of UVC Lamps encapsulated within a protective quartz sleeve assembly, an electronic power supply, optional magnetic lamp holders, a full length optional light shield that connects to the lamp to ensure no light escapes the air handler.

### A. UVC Lamps

- i. A lamp and protective quartz sleeve assembly shall be utilized in cold air conditions to provide maximum thermal optimization of the germicidal UVC Lamps.
- ii. The UVC lamps shall be slimline type, T5 diameter, 2G11 type base, and will produce broadband UVC of 250-260nm.
- iii. The UVC lamps shall produce 85% of the initial UVC output at end of lamp life (9000 hours), or 70% of initial UVC output at extended life (18,000 hours).

### B. Electronic Power Supply

- i. Electronic power supplies shall be auto-sensing between 120VAC to 277VAC and operate at either 50 or 60Hz.
- ii. Electronic power supplies shall have a power factor of greater than 96%.
- iii. Each power supply shall draw no more than 0.63A @ 120V for each 62" lamp, 0.5A @ 120V for each 48" lamp 0.35A @ 120V for each 33" lamp 0.24A @ 120V for each 22" lamp.

### C. Installation Components

- i. Each unit may include an **optional** light shield that connects to the lamp and be able to be positioned so to not let the UVC energy escape the air handler.
- ii. Each unit shall include two lamp holders to securely hold each end of the UVC lamp into desired location.
- iii. Each unit shall include a 6' lamp lead that connects to the power supply via 4 pin connector. This lamp lead shall seat over the lamp base to ensure connection is stable.

## 2. Installation

- A. Power supply is hard wired to incoming power to air handler - the UVC lamp should not cycle with the air handler blower.
- B. The lamp holders should be place on each end to the UVC lamp and the lamp be located inside the air handler, in the center of the coiling coil and within 2 feet of the coil surface. Utilizing the lamp holders attach the lamp to a suitable surface.
- C. Connect the lamp lead to the end of the lamp and route the lamp lead back to the electronic ballast. Connect the lamp lead to the electronic ballast via the 4 pin connector.
- D. **OPTIONAL** Snap the UV shield into place directing the UV light towards the coil and blocking the light from leaving any grills and escaping the air handler.