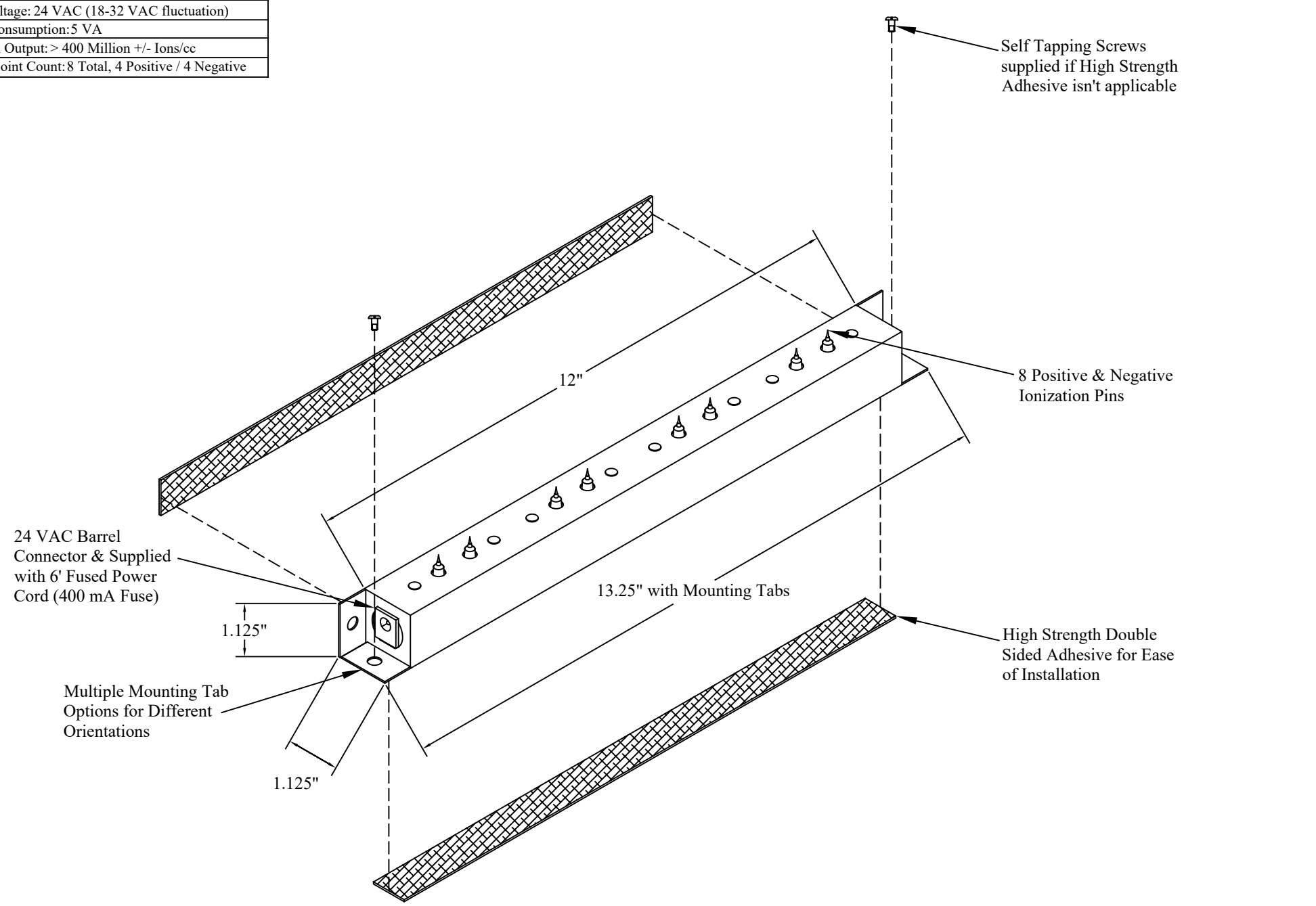


# Specifications

Input Voltage: 24 VAC (18-32 VAC fluctuation)
Power Consumption: 5 VA
Total Ion Output: > 400 Million +/- Ions/cc
Needle Point Count: 8 Total, 4 Positive / 4 Negative



24 VAC Barrel Connector & Supplied with 6' Fused Power Cord (400 mA Fuse)

Self Tapping Screws supplied if High Strength Adhesive isn't applicable

8 Positive & Negative Ionization Pins

High Strength Double Sided Adhesive for Ease of Installation

13.25" with Mounting Tabs

12"

1.125"

1.125"

Multiple Mounting Tab Options for Different Orientations

<b>Ultravation, Inc.</b> 212 Ideal Way Poultney, Vermont 05764 Ph: 802-287-9735 Fx: 802-287-9203 www.Ultravation.com	Part #:UVMMatrix AION 12-24	Drawing #:UVM-AION1224-DSS	Rev -*
	Description: UVMMatrix AION 12 with 8 needle point bipolar ionization system. Slimline design for installation in tight spaces like PTAC units and other systems up to 3 ton. 24 VAC operation and ships with multiple mounting options (mounting screws or high strength adhesive).		
Date: 2/10/21	Scale:	Creator: JSM	