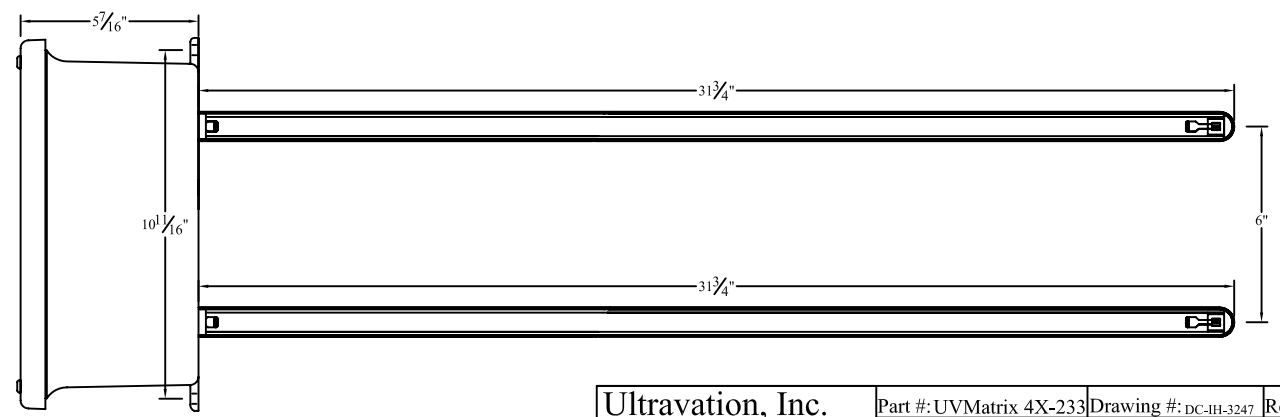
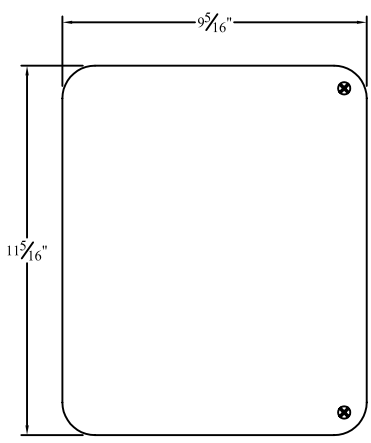
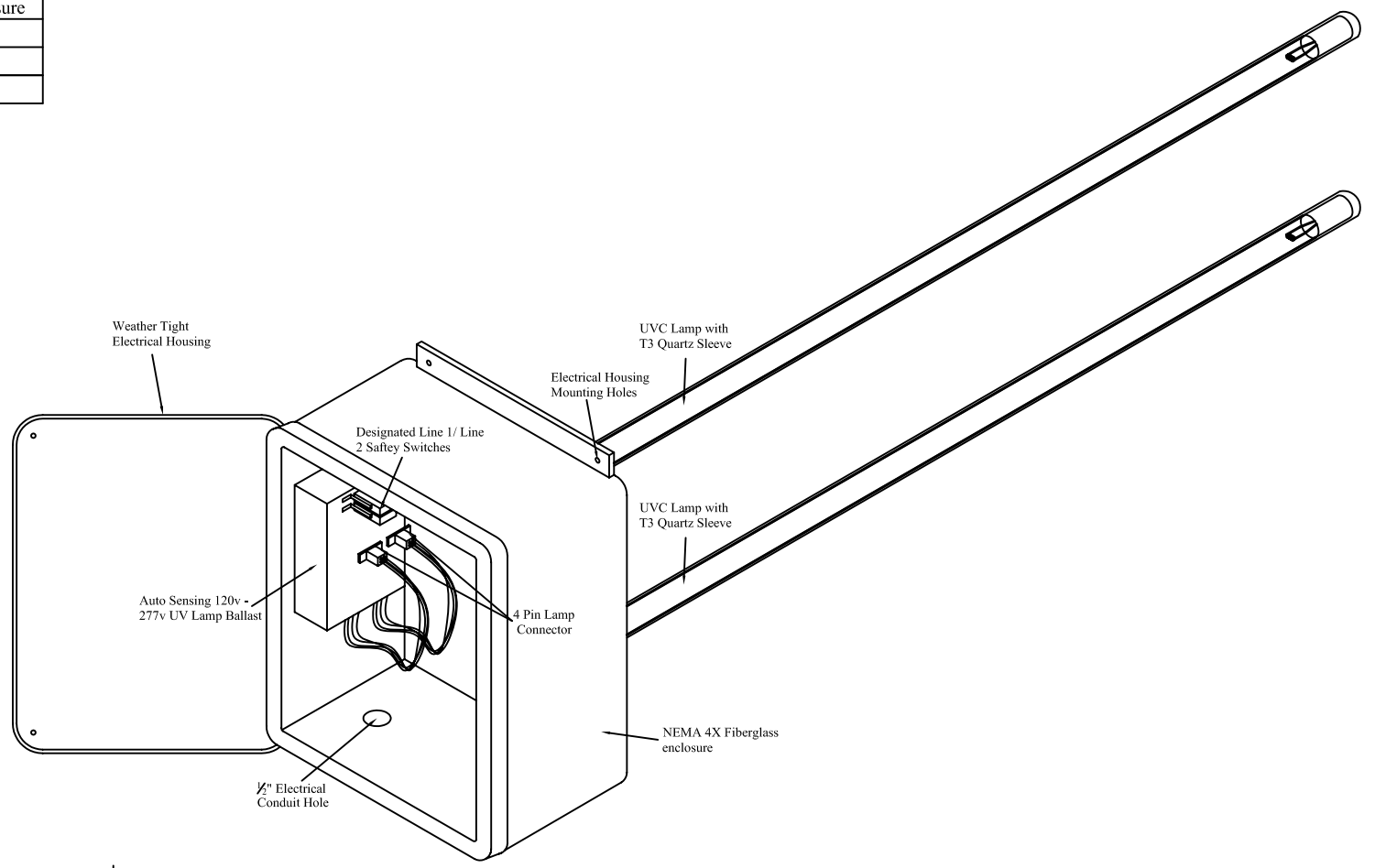


Specifications

Electrical Housing: NEMA 4X water tight enclosure
Power Consumption: .5A @ 120 VAC
Auto Sensing 120v - 277 VAC 50/60 Hz.
Lamps: 2 - 33" Lamp w/ T3 Quartz



Ultravation, Inc. 212 Ideal Way. Poultney Vermont 05764. Ph: 802-287-9735 Fx: 802-287-9203 www.Ultravation.com	Part #: UVMMatrix 4X-233	Drawing #: DC-IH-3247	Rev -*
	Description: Outdoor UV System with 2- 33" lamp wrapped in out T3 Quartz 120-277 VAC		
	Date: 10/25/07	Scale:	Creator: JSM