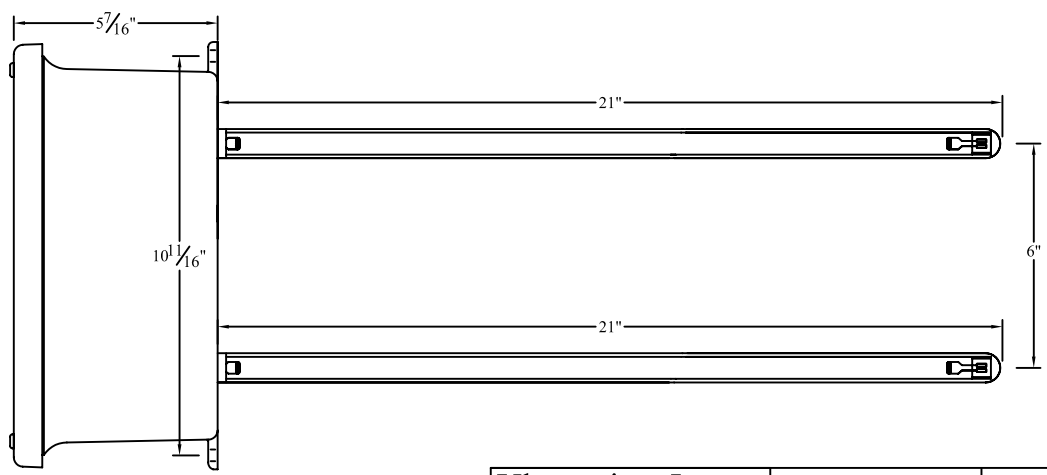
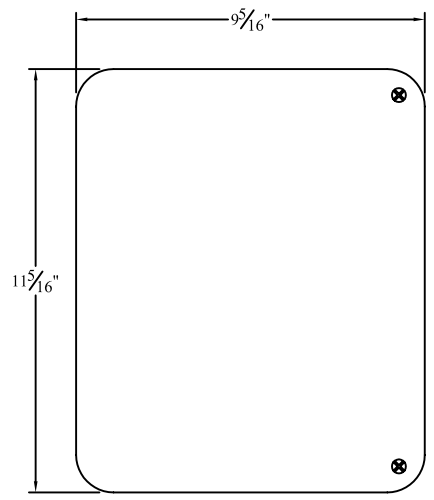
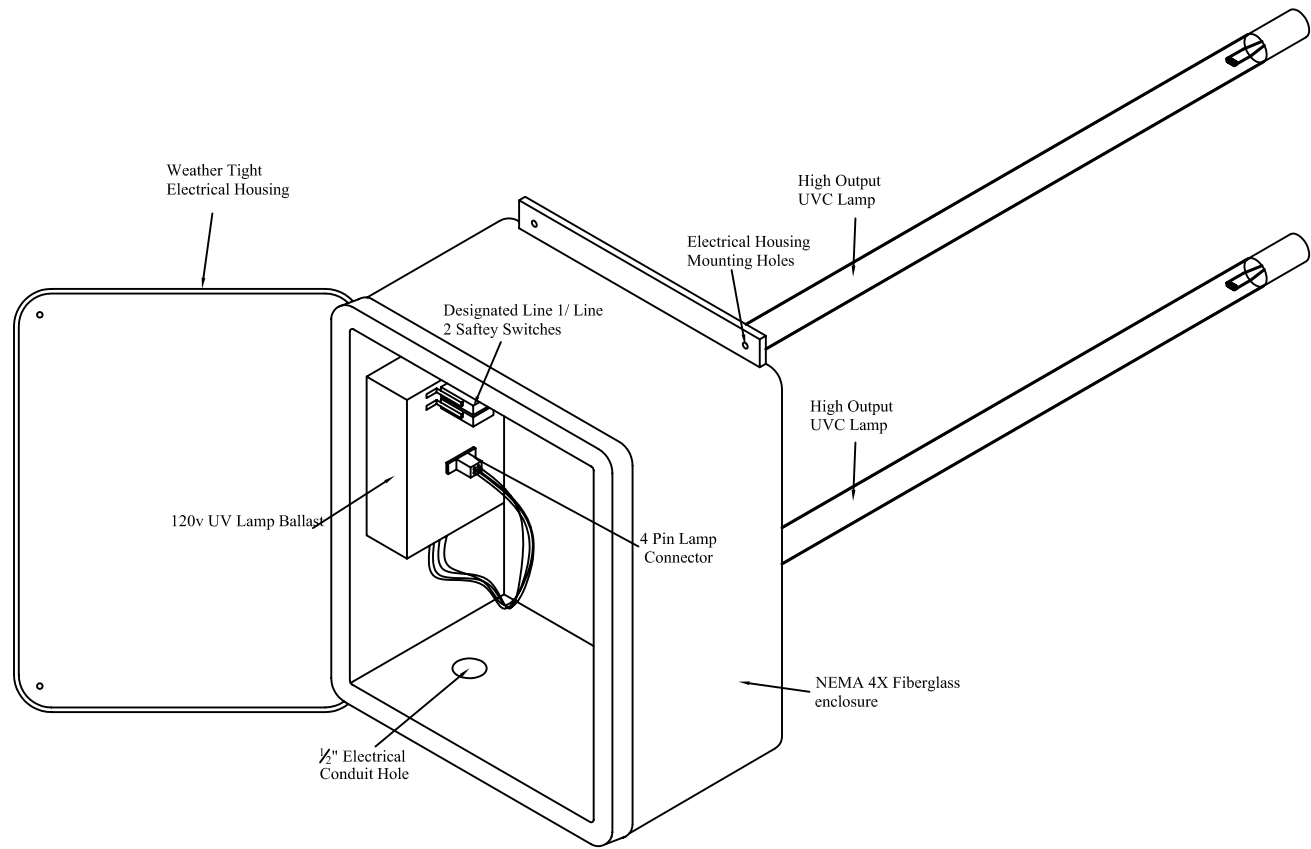


Specifications

Electrical Housing: NEMA 4X water tight enclosure
Power Consumption: .5A @ 120 VAC
Auto Sensing 120VAC 50/60 Hz.
Lamps: 2 - 22" High Output Lamps



Ultravation, Inc.
 212 Ideal Way.
 Poultney Vermont 05764.
 Ph: 802-287-9735
 Fx: 802-287-9203
www.Ultravation.com

Part #: UVMatrix 4X-222-HO	Drawing #: DC-IH-3269	Rev -*
Description: Outdoor UV System with 2- 22" High Output Lamps 120VAC		
Date: 09/09/13	Scale:	Creator: WEF