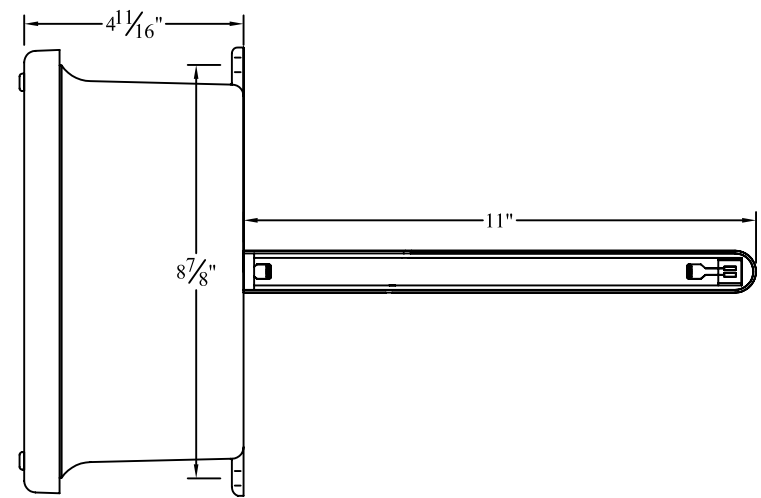
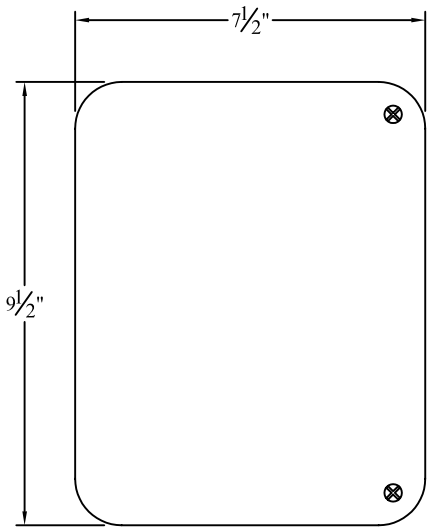
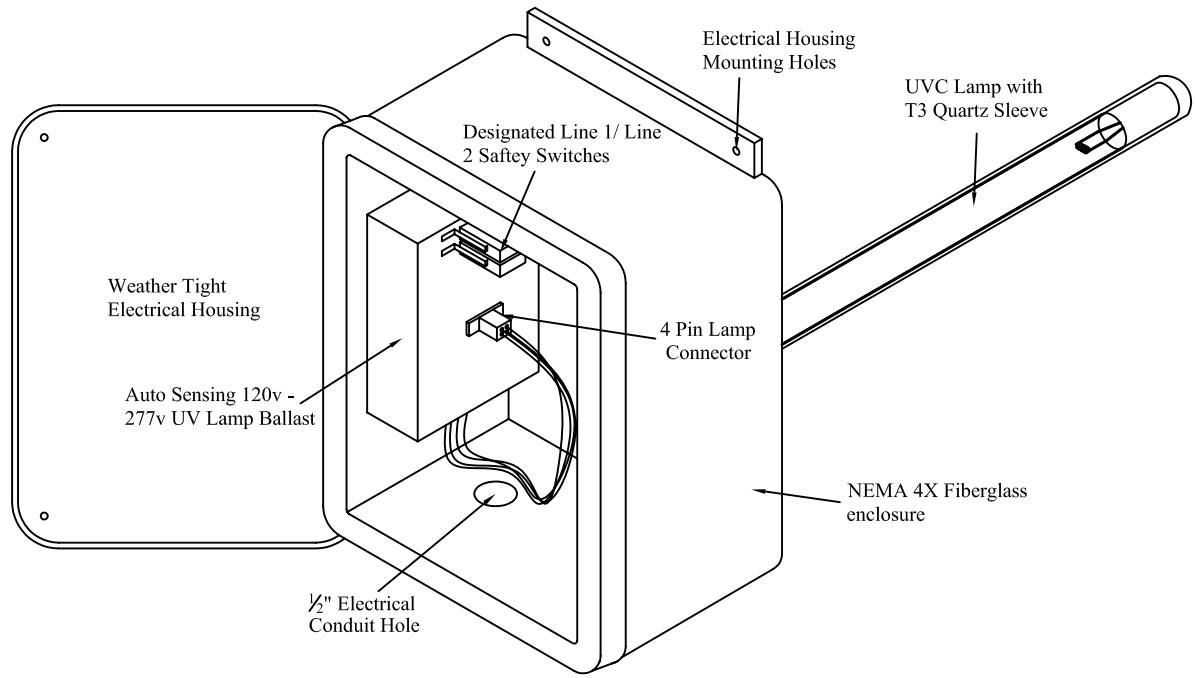


Specifications

Electrical Housing: NEMA 4X water tight enclosure
Power Consumption: .16A @ 120 VAC
Auto Sensing 120v - 277 VAC 50/60 Hz.
Lamps: 1 - 12" Lamp w/ T3 Quartz



Ultravation, Inc.
 212 Ideal Way.
 Poultney Vermont 05764.
 Ph: 802-287-9735
 Fx: 802-287-9203
 www.Ultravation.com

Part #: UVMatrix 4X-112	Drawing #: DC-IH-3242	Rev -*
Description: Outdoor UV System with 12" lamp wrapped in out T3 Quartz 120-277 VAC		
Date: 10/25/07	Scale:	Creator: JSM