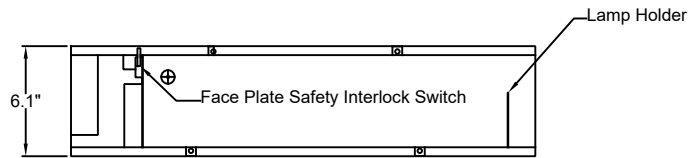
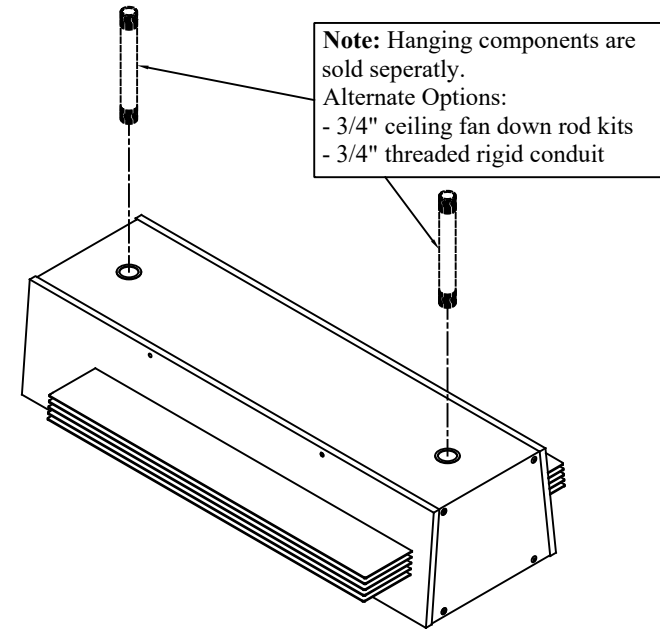
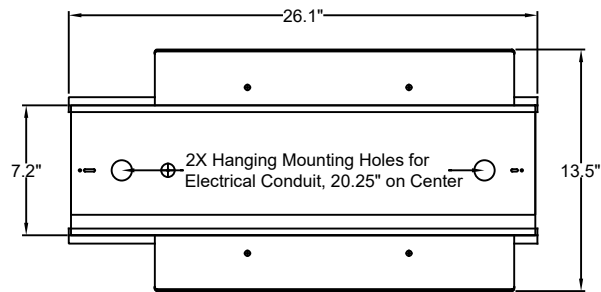
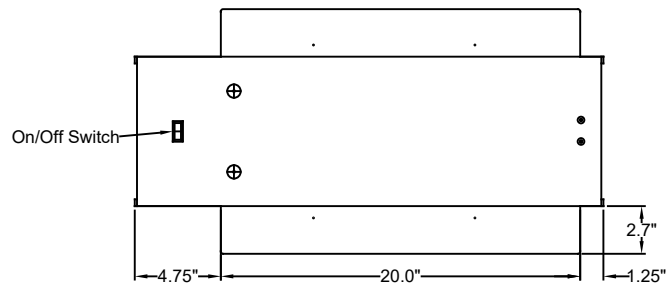
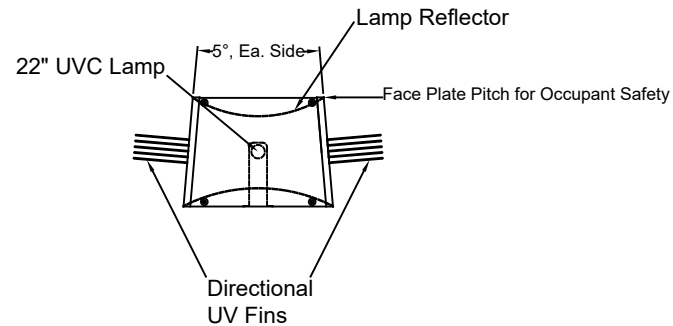
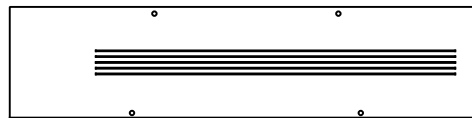
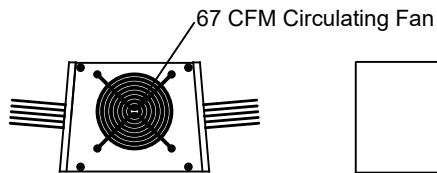


Specifications

Housing Material: Powder Coated Galvanized Steel
Input Power: 120 VAC 60 Hz.
Power Consumption: 36.5 va.
Total UV Output: 10 UVC Watts @ 254 nm
Number of Lamps: 1 - 22" UVC (AS-IH-1015, No Ozone production)
Electrical Connections: Multiple 1/2" & 3/4" Knockouts
Air Flow: 67 CFM
Noise Level: 34.00 dB Fan



Note: Minimum Installation Height of 7' to Bottom of Fixture



Ultravation, Inc.

212 Ideal Way.
Poultney, Vermont 05764.
Ph: 802-287-9735
Fx: 802-287-9203
www.Ultravation.com

Part #: UVMatrix FS-22F-CR	Drawing #: FS22FCR-DSS	Rev - C
Description: BioGard Series UVMatrix FS-22F-CR Upper Room UVC with 67 CFM fan for increased room circulation, Center of room installation with 1-22" Germicidal Lamp for Area Coverage of 450 ft ² at maximum dimensions of 15' wide x 30' deep.		
Date: 1/5/21	Scale:	Creator: JSM