

Specifications

Housing Material: Powder Coated Galvanized Steel

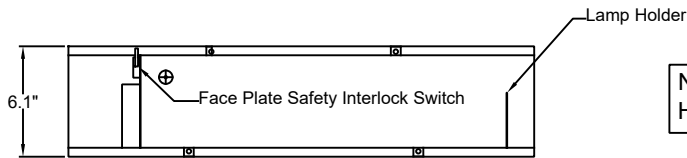
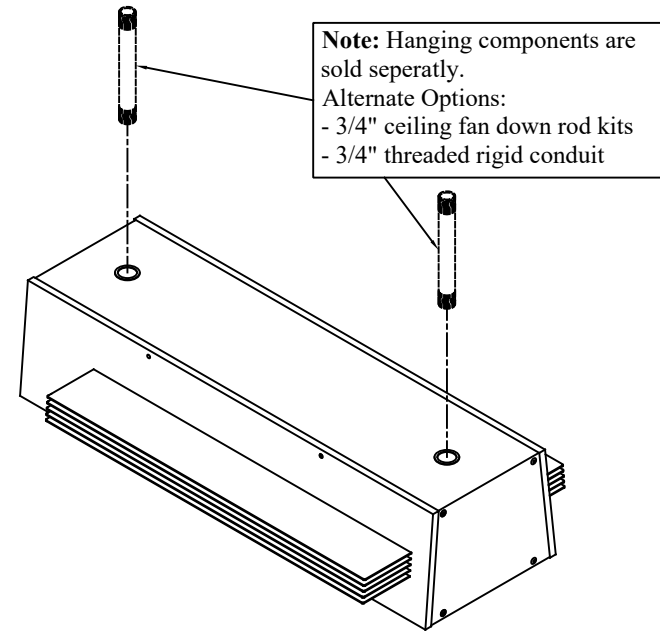
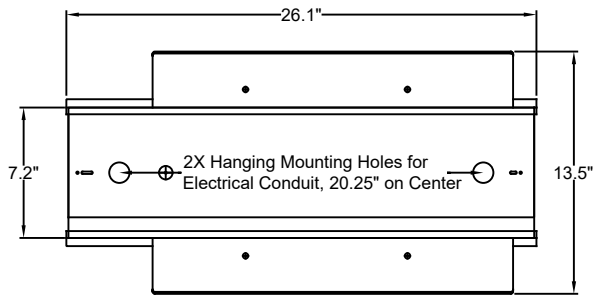
Input Power: 120 VAC 60 HZ.

Power Consumption: 28 Va.

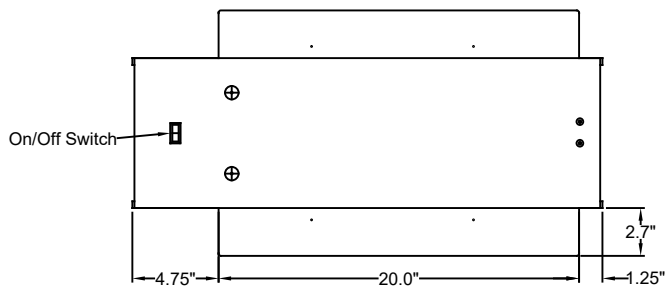
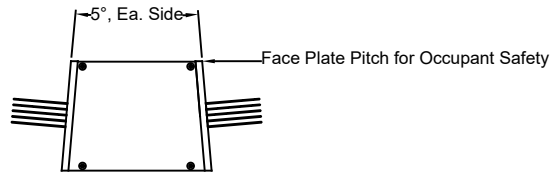
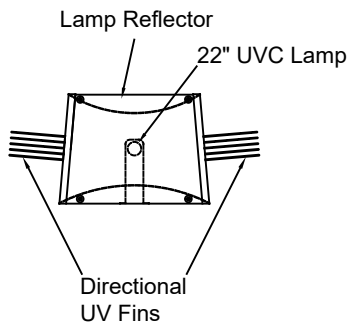
Total UV Output: 10 UVC Watts @ 254 nm

Number of Lamps: 1 - 22" UVC (AS-IH-1015, No Ozone production)

Electrical Connections: Multiple 1/2" & 3/4" Knockouts



Note: Minimum Installation Height of 7' to Bottom of Fixture



Ultravation, Inc.

212 Ideal Way.
Poultney, Vermont 05764.
Ph: 802-287-9735
Fx: 802-287-9203
www.Ultravation.com

Part #: UVMatrix FS-22-CR | Drawing #: FS22CR-DSS | Rev - B

Description:
BioGard Series UVMatrix FS-22-CR Upper Room UVC, Center of room installation with 1- 22" Germicidal Lamp with Area Coverage of 450 ft² at maximum dimensions of 15' Wide x 30' Deep

Date: 1/5/21

Scale:

Creator: JSM