

Ultravation®

Professional Indoor Air Quality Products

UVMatrix EZ Series Air Disinfection Systems Owners Manual

Safety Precautions:

It is recommended that this unit be installed and maintained by a trained technician:

WARNING: UV Hazard. Always protect eyes from ultraviolet light. NEVER look at UV lamps in operation. Unplug or disconnect power before re-lamping or servicing.

WARNING: Severe eye damage or temporary blinding may occur.

WARNING: DO NOT operate outside of Air Handler.

WARNING: No openings in duct are allowed which would give direct line-of-sight to the UV light.

In the event of accidental breakage or replacement of the ultraviolet lamp, please ensure that the lamp is disposed of in accordance with local and state environmental laws regarding fluorescent lamps containing mercury.

Notice:

All wiring inside of the duct or air handling system in direct line of site of the UV lamp must be shielded with aluminum foil tape or equivalent non-combustible material. When installing this unit, select a mounting location that prevents ultraviolet light exposure to plastic flexible duct liner or other plastic components with unknown resistance to ultraviolet light. Ultraviolet light may cause color shift or structural degradation of plastic HVAC components

Installation Steps for Internal Mounting of Power Supply:

This unit installs in the tightest spaces such as fan coil units and PTACs while mounting with high strength magnets.

1. Place UV lamp and ballast assembly in a position which will allow the UV lamp to bathe the entire surface to be treated. Next plug the lamp connector onto the lamp.
2. Connect power wires to the powered down HVAC system (with supplied wire nuts). **This should be done in Accordance with all State and Local Electrical and Building Codes.**

Maintenance:

Note: It is recommended that this unit be installed and maintained by a trained technician. Never perform maintenance on the UV unit without disconnecting power.

Typical maintenance consists of replacement of the ultraviolet lamps. UV lamps undergo a photochemical process during operation. This slowly reduces the amount of UV light generated to disinfect against airborne pathogens. For optimum air stream disinfection against airborne pathogens it is recommended the UV lamps be changed on an annual basis.

When installing new lamps, ensure that the lamp glass is free from any fingerprints or debris, as this may alter the path of the UV energy. Use rubbing alcohol and a dry cloth to remove any surface contaminants.

Warranty:

Ultravation warrants this product against any defects in the power supply or lamp lead for a period of 10 year after date of consumer purchase, with the exception of the Ultraviolet Lamp, which is warranted for a period of 1 year after date of consumer purchase.

This warranty does not include damage to the unit from accident, misuse or improper installation. If this product should become defective during the warranty period, Ultravation will repair or elect to replace the product free of charge.

Ultravation will return repaired or replaced warranted products pre-paid, provided that the product was delivered pre-paid. Ultravation shall have no responsibilities for charges incurred by the customer for installation or removal of warranted items. Liability is limited only to the replacement or repair of this product

This warranty gives you specific legal rights, and you may also have other rights, which vary from state to state.

All returns must be accompanied by a return authorization number, which may be obtained by contacting Ultravation, Inc.

Ultravation, Inc. ~ P.O. Box 165 ~ 212 Ideal Way ~
Poultney, Vermont 05764
Phone: 802-287-9735 ~ Fax: 802-287-9203 ~
www.ultravation.com

Replacement Parts:

22" T3 Lamp Assembly	AS-IH-1005
33" T3 Lamp Assembly	AS-IH-0611
48" T3 Lamp Assembly	AS-IH-0612
62" T3 Lamp Assembly	AS-IH-0610

Trouble Shooting:

The Ultravation air disinfection equipment is designed to provide many years of trouble free operation. In the unlikely event of a problem, please contact your local dealer or Ultravation directly. Before calling for service, you should have your Model No., Serial No., and Manufacturing Date.

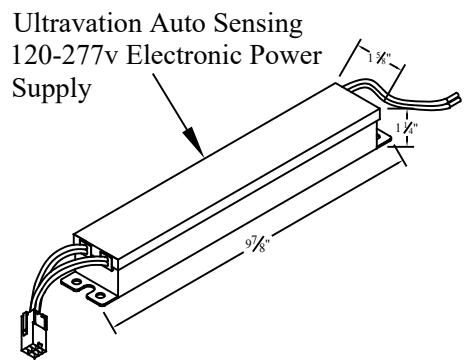
If you are Troubleshooting the Unit

Check the Following:

- Verify the unit has power (120-277 volts)
- Lamp is securely plugged in into the socket, no loose wires, and in the right orientation.
- Verify if in fact the UV lamp is on or off. **Do Not Look at the UV Light Without Proper Eye Protection.**
- If possible try a new lamp in the Unit to see if it lights.

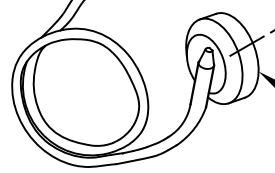
Models & Specifications

Model Number	Lamp Part Number	Lamp Length (X)	Light Shield Part Number	Power Consumption
UVMatrix EZ-12	AS-IH-1001	12" T3 Lamp	94-050	17VA
UVMatrix EZ-17	AS-IH-1003	17" T3 Lamp	94-049	22VA
UVMatrix EZ-22	AS-IH-1005	22" T3 Lamp	94-047	29VA
UVMatrix EZ-33	AS-IH-0611	33" T3 Lamp	94-045	42VA
UVMatrix EZ-48	AS-IH-0612	48" T3 Lamp	94-046	60VA
UVMatrix EZ-62	AS-IH-0610	62" T3 Lamp	94-043	76VA



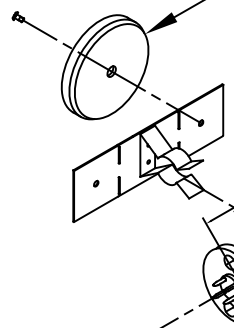
Ultravation Auto Sensing
120-277v Electronic Power
Supply

6' Quick connect lamp
lead

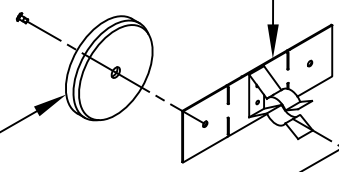


4 Pin Lamp
Connector

*Optional magnet mounting
(2 magnets and mounting
screws required)
Part Number: 94-068 includes
1 magnet and 1 screw.



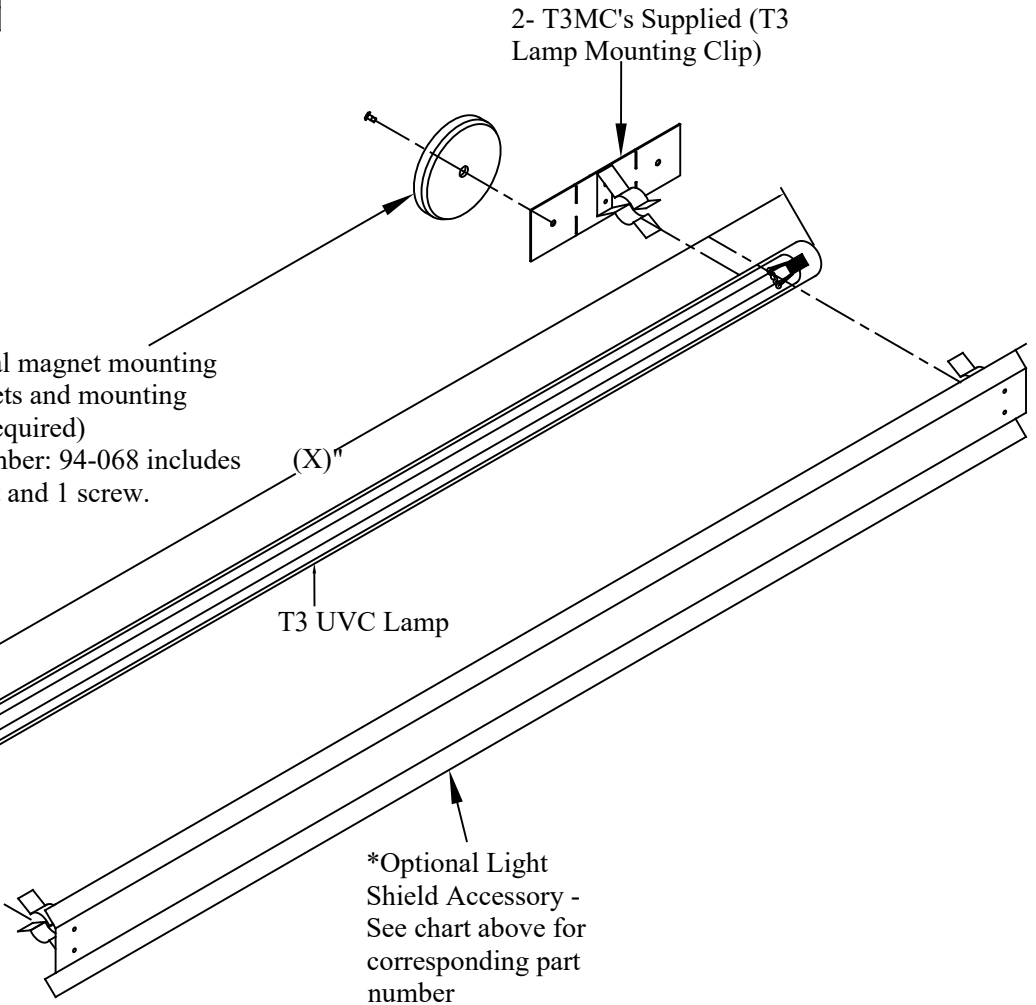
2- T3MC's Supplied (T3
Lamp Mounting Clip)



(X)"

T3 UVC Lamp

*Optional Light
Shield Accessory -
See chart above for
corresponding part
number



Ultravation, Inc.

212 Ideal Way
Poultney, Vermont 05764
Ph: 802-287-9735
Fx: 802-287-9203
www.Ultravation.com

Part #: UVMatrix-EZ Series | Drawing #: UVMatrixEZS-DSS | Rev -B

Description: UVMatrix EZ with T3 UVC Lamp (lamp length option above (X)). 6' Lamp lead, 120-277v Operation. *Optional, full length light shield and magnet mount*.

Date: 1/20/20

Scale:

Creator: JSM